



Office de la propriété  
intellectuelle  
du Canada

Un organisme  
d'Industrie Canada

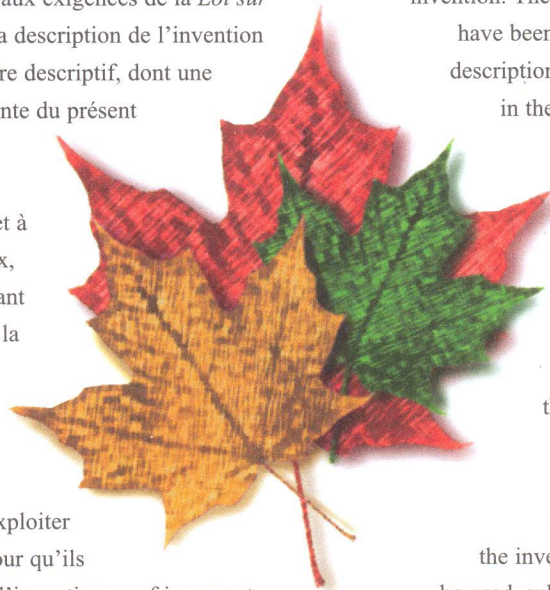
Canadian  
Intellectual Property  
Office

An Agency of  
Industry Canada

## Brevet canadien / Canadian Patent

Le commissaire aux brevets a reçu une demande de délivrance de brevet visant une invention. Ladite requête satisfait aux exigences de la *Loi sur les brevets*. Le titre et la description de l'invention figurent dans le mémoire descriptif, dont une copie fait partie intégrante du présent document.

Le présent brevet confère à son titulaire et à ses représentants légaux, pour une période expirant vingt ans à compter de la date du dépôt de la demande au Canada, le droit, la faculté et le privilège exclusif de fabriquer, construire, exploiter et vendre à d'autres, pour qu'ils l'exploitent, l'objet de l'invention, sauf jugement en l'espèce rendu par un tribunal compétent, et sous réserve du paiement des taxes périodiques.



The Commissioner of Patents has received a petition for the grant of a patent for an invention. The requirements of the *Patent Act* have been complied with. The title and a description of the invention are contained in the specification, a copy of which forms an integral part of this document.

The present patent grants to its owner and to the legal representatives of its owner, for a term which expires twenty years from the filing date of the application in Canada, the exclusive right, privilege and liberty of making, constructing and using the invention and selling it to others to be used, subject to adjudication before any court of competent jurisdiction, and subject to the payment of maintenance fees.

B R E V E T   C A N A D I E N   **2,729,039**   C A N A D I A N   P A T E N T

Date à laquelle le brevet a été  
accordé et délivré

**2014/05/13**

Date on which the patent  
was granted and issued

Date du dépôt de la demande

**2008/08/20**

Filing date of the application

Date à laquelle la demande est  
devenue accessible au public  
pour consultation

**2009/12/03**

Date on which the application  
was made available for  
public inspection

Commissaire aux brevets / Commissioner of Patents

Canada

3256 (CIPO 91) 10/13





Office de la Propriété  
Intellectuelle  
du Canada  
Un organisme  
d'Industrie Canada

Canadian  
Intellectual Property  
Office  
An agency of  
Industry Canada

CA 2729039 C 2014/05/13

(11)(21) **2 729 039**

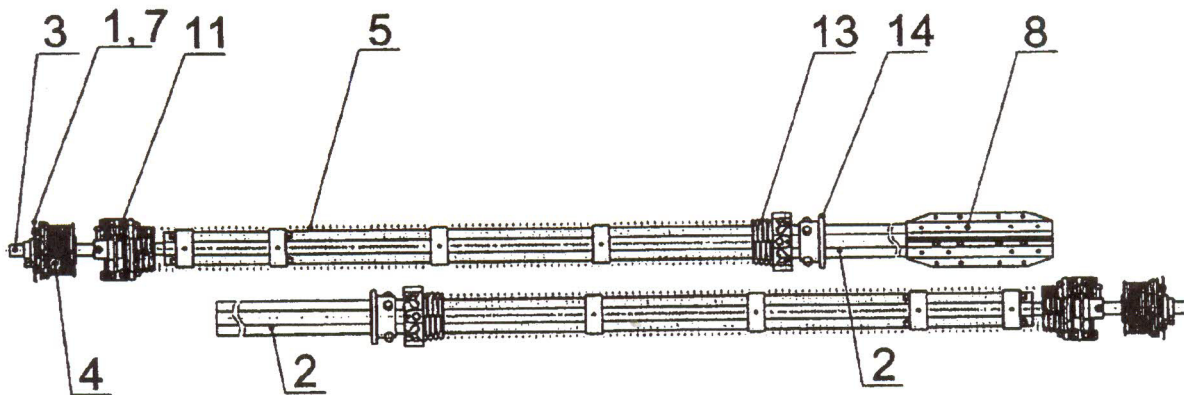
(12) **BREVET CANADIEN  
CANADIAN PATENT**

(13) **C**

(86) Date de dépôt PCT/PCT Filing Date: 2008/08/20  
(87) Date publication PCT/PCT Publication Date: 2009/12/03  
(45) Date de délivrance/Issue Date: 2014/05/13  
(85) Entrée phase nationale/National Entry: 2010/12/22  
(86) N° demande PCT/PCT Application No.: RU 2008/000564  
(87) N° publication PCT/PCT Publication No.: 2009/145658  
(30) Priorité/Priority: 2008/05/27 (RU2008120833)

(51) Cl.Int./Int.Cl. *E06B 3/48* (2006.01)  
(72) Inventeurs/Inventors:  
KHANIN, SERGEY ALEXANDROVICH, RU;  
VYATINA, LYUDMILA VIKTOROVNA, RU;  
SKIBIN, DENIS VYACHESLAVOVICH, RU;  
ZAPOLSKIKH, DENIS VYACHESLAVOVICH, RU  
(73) Propriétaire/Owner:  
OBSHESTVO S OGRANICHENNOY  
OTVETSTVENNOSTYU "DOORHAN", RU  
(74) Agent: NORTON ROSE FULBRIGHT CANADA  
LLP/S.E.N.C.R.L., S.R.L.

(54) Titre : PORTAIL MULTI-SECTIONS  
(54) Title: A SECTIONAL GATE



(57) Abrégé/Abstract:

The invention relates to construction, in particular to devices for closing apertures in rooms of building structures. The inventive sectional gate comprises a gate leaf formed by interconnected panels the end faces of which are accommodated in L-shaped guides. A hollow cylindrical shaft is mounted on the top part of the gate in end supporting brackets. The shaft is provided with rope barrels which are secured on the ends thereof by means of adapters. The ropes are connected to the lower and/or top panel of the gate. Torsion mechanisms with torsional springs are put onto the driving shaft at the ends thereof. The driving shaft is provided with a keyslot where the barrel adapters are attached. The cross-section of the shaft in the middle part thereof is octagonal. The torsion angle of the keyslot making it possible to uniformly tension the ropes while the gate motion is equal to or less than 10° along the entire length of the torsion mechanism, and a bending deflection between any two supporting points of the shaft is equal to or less than 1/600 of the torsion mechanism length. The invention makes it possible to increase the reliability owing to the use of the highly strength octagonal shaft in the structure.

